

ENFORCER

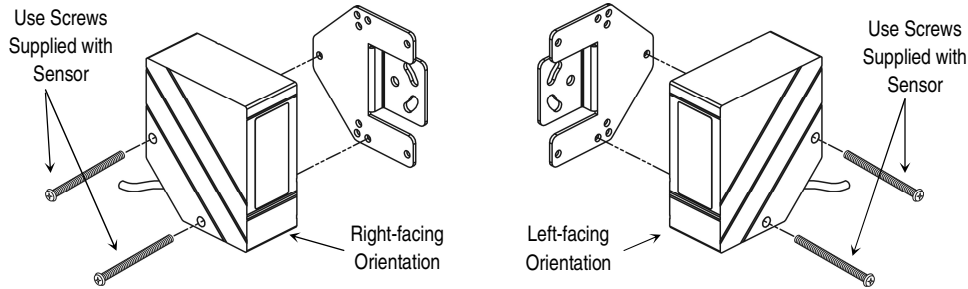
E-931ACC-BLS8Q

Wall Bracket for ENFORCER Sensors

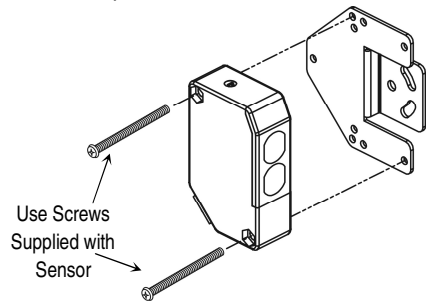
Compatible with E-931CS22RRCQ, E-931CS22RFCQ, E-931-S35RRQ, and E-931-S45RRQ

INSTALLATION GUIDE

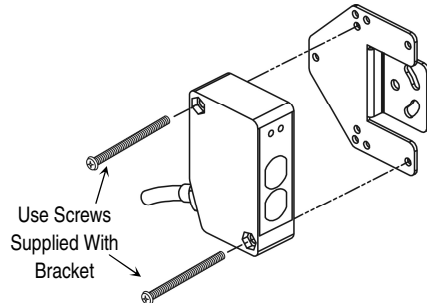
Sample Installation for E-931CS22RRCQ and E-931CS22RFCQ



Sample Installation for E-931-S35RRQ



Sample Installation for E-931-S45RRQ



Installation Instructions

Note that this bracket can be rotated 180 degrees for either left- or right-facing orientation as shown in the illustrations for E-931CS22RRCQ and E-931CS22RFCQ above. Please note that each sensor model uses different mounting holes.

1. First install the bracket to the metal door frame using included sheet metal screws. In order to permit final adjustment, avoid tightening the screws firmly.
2. Mount the sensor to the bracket as illustrated above for each sensor model and adjust position.
3. Remove sensor, taking care not to move the bracket.
4. Tighten the bracket mounting screws firmly.
5. Re-mount the sensor to the bracket.

Parts List

- 1x Wall Bracket
- 3x Sheet Metal Screws
- 2x Screws for E-931-S45RRQ

WARRANTY: This SECO-LARM product is warranted against defects in material and workmanship while used in normal service for 1 (one) year from the date of sale to the original customer.

NOTICE: The information and specifications printed in this manual are current at the time of publication. However, the SECO-LARM policy is one of continual development and improvement. For this reason, SECO-LARM reserves the right to change specifications without notice. SECO-LARM is also not responsible for misprints or typographical errors. Copyright © 2014 SECO-LARM U.S.A., Inc. All rights reserved. This material may not be reproduced or copied, in whole or in part, without the written permission of SECO-LARM.

SECO-LARM® U.S.A., Inc.

16842 Millikan Avenue, Irvine, CA 92606

Tel: 800-662-0800 / 949-261-2999 Fax: 949-261-7326

Website: www.seco-larm.com

E-mail: sales@seco-larm.com

 PITSW1
MIE-931ACC-BLS8Q_1404.docx
Order Part #:764-102%